

VPU FTTH

Basic Features

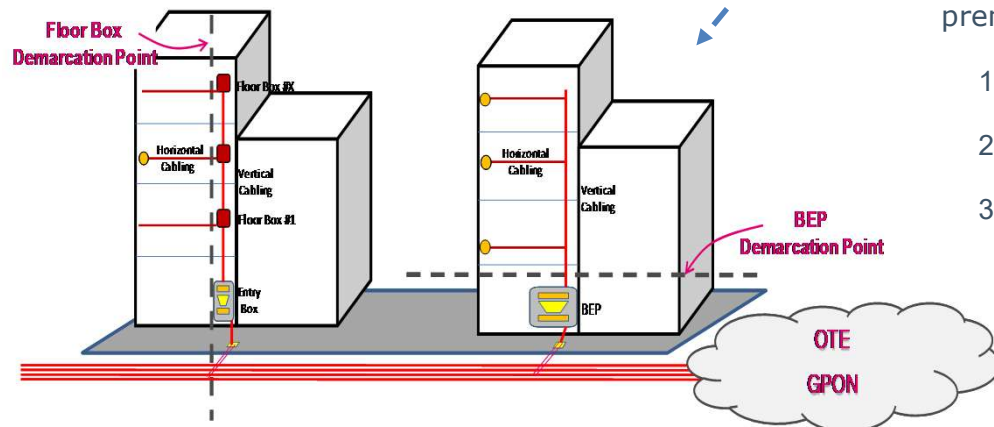
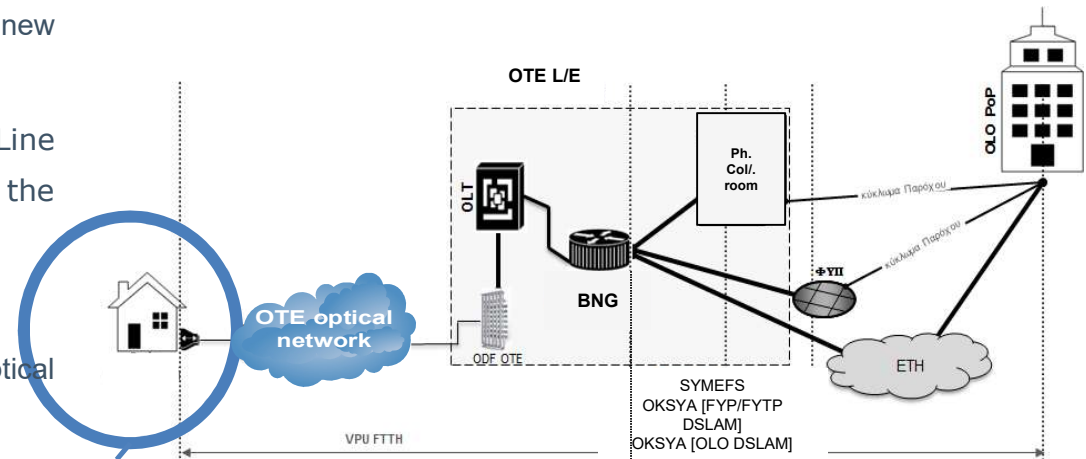
OTE WHOLESALE



WHOLESALE

VPU FTTH

- VPU FTTH offers the ability to provide very high speed broadband services to end customers through OTE brand new optical access GPON network.
- Service is provided from L/E's OLT (Optical Line Termination) up to the optical termination point at the entrance of subscriber's premises.
- Commercially available speeds up to 200Mbps.
- BNG delivers OKSYA / SYMEFS traffic to OLT through optical interfaces



the optical termination point at the entrance of subscriber's premises can be:

1. Building Entry Point – BEP at the entrance of the building
2. Floor Boxes (one floor box at each floor)
3. Other locations of the building depending on the type of construction.

VPU FTTH availability is checked through WCRM LLU. The appropriate technical solution is decided per case after a site survey conducted by OTE technical experts, taking into account the special features of the building in order to construct internal optical cabling to every floor. Detailed list of the "Home Passed" addresses is announced through WCRM-LLU system. Having OKSYA / SYMEFS DSLAM service in the corresponding Central Exchange is prerequisite.