

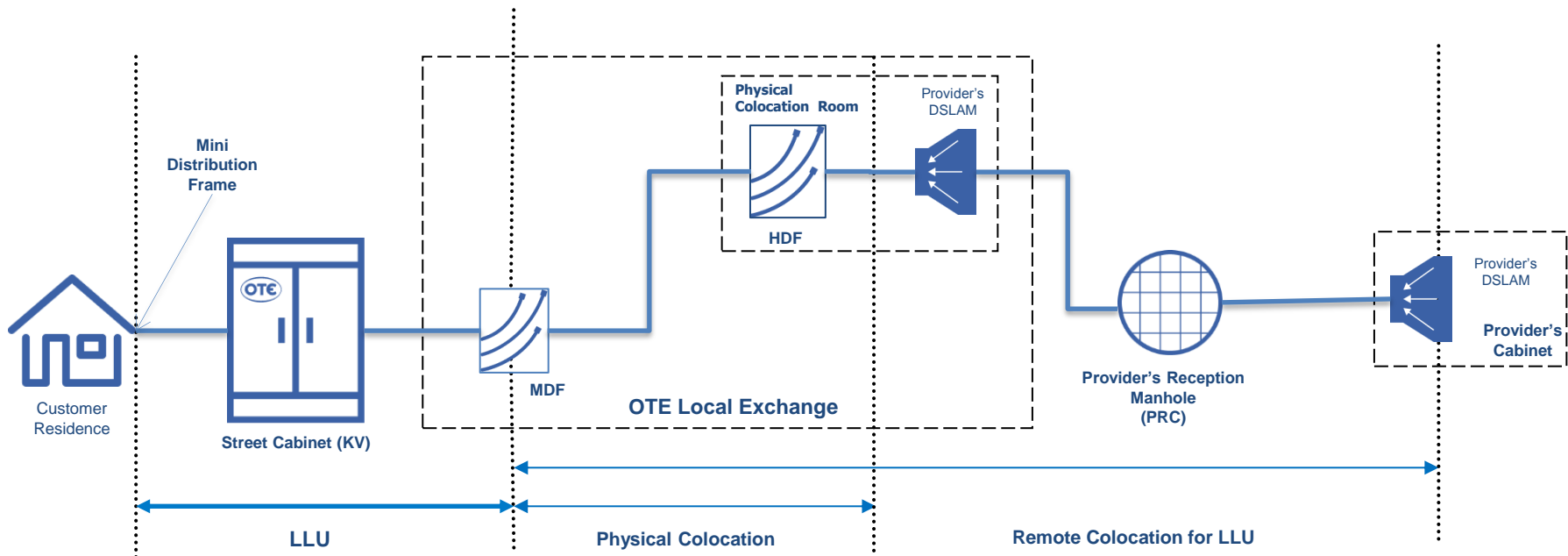
# LLU - subLLU

OTE WHOLESALE



# LLU

- Demarcation Points are the Mini Distribution Frame Box at Customer Premises and OTE Main Distribution Frame.
- Prerequisites are installation of provider's equipment either inside OTE Local Exchange (Physical Collocation) or outside and near OTE Local Exchange (Remote Collocation)



# subLLU

- Demarcation Points are the Mini Distribution Frame Box at Customer Premises and OTE Street Cabinet (KV)
- Prerequisites are installation of Provider's equipment (DSLAM) near OTE Street Cabinet (Remote Collocation).

