

# ARYS-VARYS

Basic Features

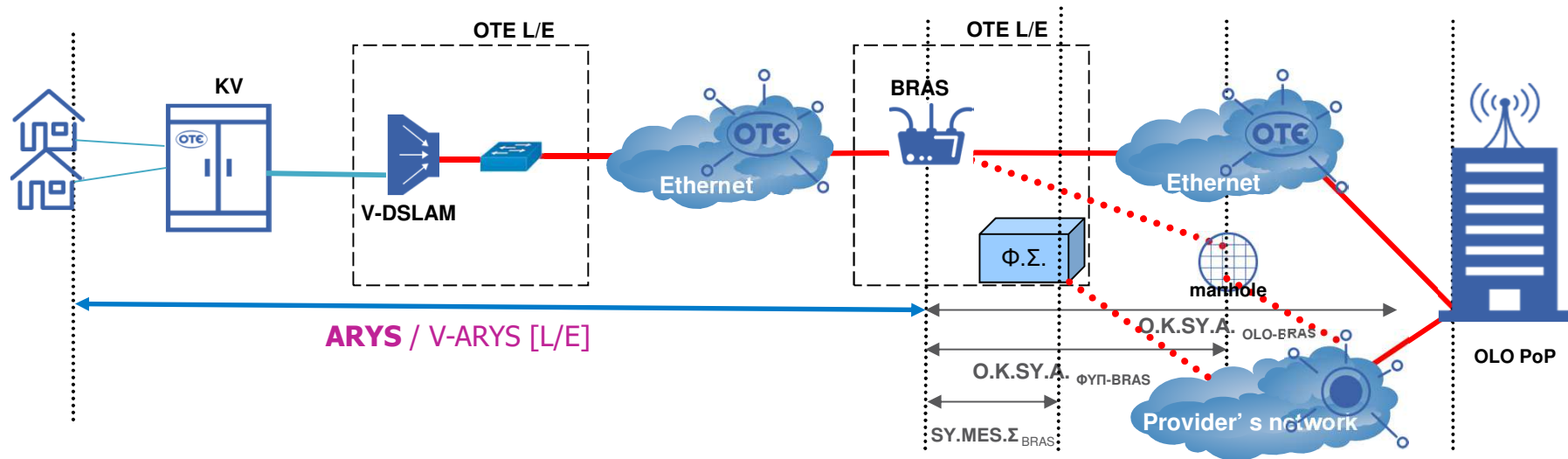
OTE WHOLESALE



WHOLESALE

# ARYS & V-ARYS BRAS (L/E)

- Service's demarcation point is defined as:
  - OTE network terminating passive equipment at the entrance of subscriber's premises
  - The corresponding BRAS OTE connecting DSLAM that provides broadband services to subscriber towards OTE core network
- Telecom Providers have the ability to provide xDSL services at speeds up to 50 Mbps downstream.
- Being a Cosmote fixed line telephony subscriber is prerequisite for service disposal
- Combination with either O.K.SY.A or SY.ME.FS BRAS services is prerequisite in order to deliver ARYS or V-ARYS traffic at Telecom Provider's Point of Presence (PoP)



# ARYS & V-ARYS BRAS (KV)

- Service's demarcation point is defined as:
  - OTE network terminating passive equipment at the entrance of subscriber's premises
  - The corresponding BRAS OTE connecting DSLAM that provides broadband services to subscriber towards OTE core network
- They offer Telecom Providers the ability to provide xDSL services at speeds up to 50 Mbps downstream. The nominal speed is guaranteed because xDSL services are provided from dslam installed in local KV
- Being a Cosmote fixed line telephony subscriber is prerequisite for service disposal
- They have to be combined with either O.K.SY.A or SY.ME.FS BRAS services in order to deliver ARYS or V-ARYS traffic at Telecom Provider's Point of Presence (PoP)

